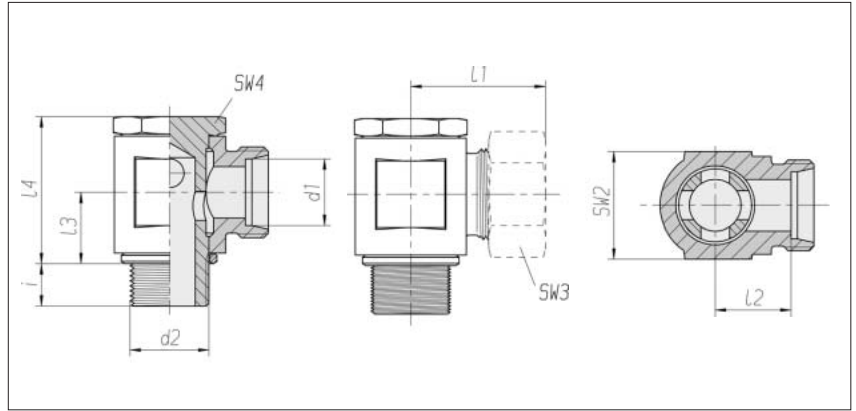


Banjo couplings

Standard design

Thread:
Whitworth pipe thread,
straight

With metallic seal-edge ring
for DIN 3852 / ISO 1179
d4 narrow swivel angle ***



Series	Pressure	d2	SW2	SW3	SW4	l1 approx.	l2	l3	l4	i	Nm -10 %	kg/100 approx.	Order No. Single component	Order No. *
Tube OD d1														
LL 4	PB 100	G 1/8 A	14	10	14	22	11.5	8	18.5	6	15	2.5	1 1 52 00 20 81	-
LL 6	PB 100	G 1/8 A	14	12	14	22	10	9	20.5	6	15	2.7	1 1 52 10 20 81	-
LL 8	PB 100	G 1/8 A	14	14	14	23	11	10	22.5	6	15	3.1	1 1 52 15 20 81	-
L 6	PB 250	G 1/8 A	14	14	14	25	10.5	10	23.5	6	20	3.5	1 1 53 00 20 81**	1 1 53 00 20 07
L 8	PB 250	G 1/4 A	19	17	19	28	13	12	27	9	45	6.5	1 1 53 05 20 81	1 1 53 05 20 07
L 10	PB 250	G 1/4 A	19	19	19	29	14	13	28	9	50	6.8	1 1 53 10 20 81	1 1 53 10 20 07
L 12	PB 250	G 3/8 A	22	22	22	30	15.5	15.5	33	9	75	10.3	1 1 53 15 20 81	1 1 53 15 20 07
L 12	PB 250	G 1/2 A	27	22	27	32.5	18	19	38	11	110	16.8	1 1 53 17 20 81	1 1 53 17 20 07
L 15	PB 250	G 1/2 A	27	27	27	34.5	19	19	38	11	110	17.6	1 1 53 20 20 81	1 1 53 20 20 07
L 18	PB 160	G 1/2 A	30	32	27	36.5	20	22	44	11	100	20.2	1 1 53 25 20 81	1 1 53 25 20 07
L 22	PB 160	G 3/4 A	36	36	32	41.5	25	24	48	13	150	31.8	1 1 53 30 20 81	1 1 53 30 20 07
S 6	PB 250	G 1/4 A	19	17	19	30	15	12	27	9	45	7.3	1 1 53 50 20 81	1 1 53 50 20 07
S 8	PB 250	G 1/4 A	19	19	19	30	15	13	28	9	50	7.4	1 1 53 55 20 81	1 1 53 55 20 07
S 10	PB 250	G 3/8 A	22	22	22	32	16	15.5	33	9	70	11.1	1 1 53 60 20 81	1 1 53 60 20 07
S 12	PB 250	G 3/8 A	24	24	22	32	16	16.5	36	9	70	14.0	1 1 53 65 20 81	1 1 53 65 20 07
S 14	PB 250	G 1/2 A	27	27	27	38	20	19	38.5	11	115	18.4	1 1 53 70 20 81	1 1 53 70 20 07
S 16	PB 160	G 1/2 A	30	30	27	39.5	21	20.5	42	11	100	22.0	1 1 53 75 20 81	1 1 53 75 20 07
S 20	PB 160	G 3/4 A	36	36	32	45.5	24	24	48	13	150	34.6	1 1 53 80 20 81	1 1 53 80 20 07

* With union nut and 2S cutting ring

** Sample product code, see:
SWWE06LROMD

*** With elastomer sealing ring (KDS)
on the thread on request