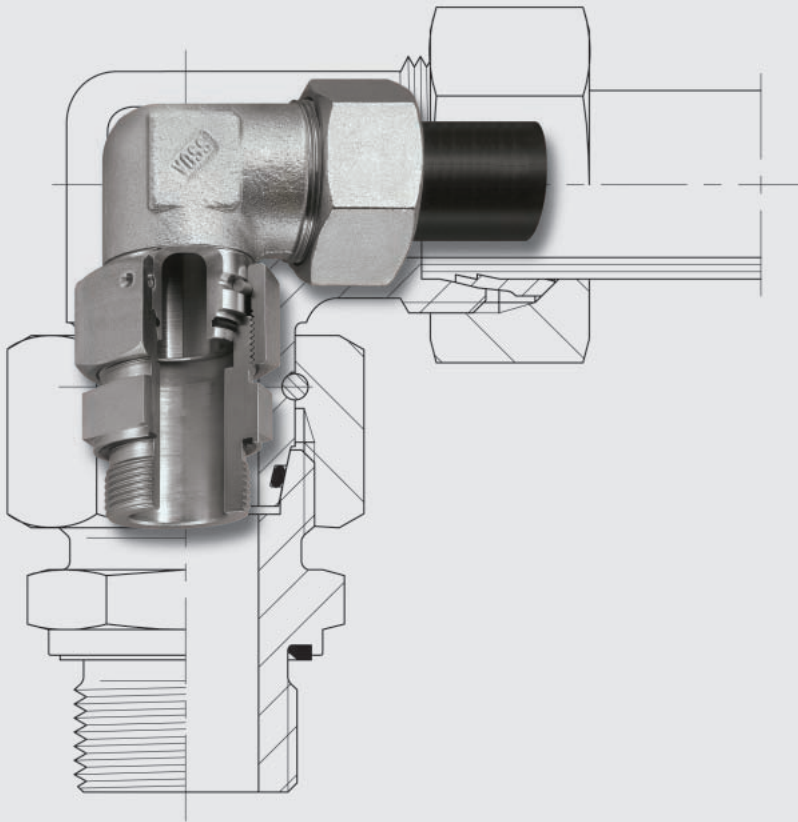


## 24° taper couplings / Welding couplings



Experience plus ideas

## Product information 24° taper couplings

The 24° taper coupling is a logical further development of the adjustable coupling with a tube socket and pre-assembled cutting ring. A particularly reliable and permanently stable coupling connection is achieved with the taper mounted on the coupling body.

The holding function is assumed by a special union nut by means of a wire pin located in a groove. Following final assembly the interlocked union nut ensures a coupling resistant to tearing out.

Sealing is provided by the embedded O-ring. This results in an ideal precision seal.

With a broad range of different designs, all common combinations of couplings with adjustable directions can be produced. The connection dimensions comply exactly with the standards DIN 2353/ISO 8434-1. This results in an interchangeability with the traditional adjustable spigot version.

### Special features:

- The VOSS taper coupling provides an improvement with regard to freedom from leaks and precision sealing by means of the precisely chambered O-ring seal.
- It provides reliable operation and long-term freedom from leaks even under extreme operating conditions, such as sudden pressure increases, reversed bending loads and vibrations.
- The VOSS taper coupling can be easily and reliably assembled. Optimal final functioning is produced with a short tightening distance and a practice-oriented final tightening force.
- Repeat assemblies can be carried out frequently and without difficulty.

### General information

In order for the taper couplings to fulfil their function, it is extremely important that the installation instructions and the notes in the technical remarks are followed exactly.

On the tube connection side the assembly instructions of the respective function rings must be observed.

