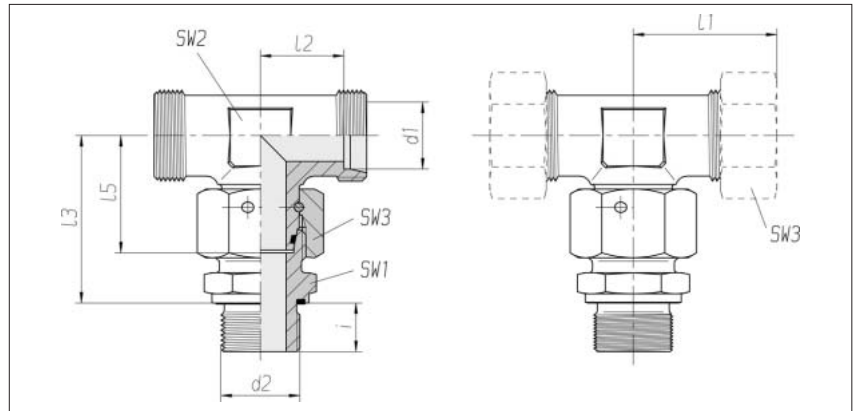


Adjustable stud branch tees

With taper and O-ring
Cutting ring connection
at tube end

Thread:
metric fine thread,
straight

Sealed with PEFLEX seal



Series	Pressure	d2	SW1	SW2	SW3	l1*	l2	l3	l5	i	kg/100 approx.	Order No. Single component	Order No. **
Tube OD						approx.							
d1													
L 6	PN 500	M 10 x 1	14	12	14	27	12	34.5	26	8	4.9	1 1 60 01 20 00***	1 1 60 00 20 XX
L 8	PN 500	M 12 x 1.5	17	14	17	29	14	37.5	27.5	12	9.4	1 1 60 06 20 00	1 1 60 05 20 XX
L 10	PN 500	M 14 x 1.5	19	17	19	30	15	40	29	12	12.5	1 1 60 11 20 00	1 1 60 10 20 XX
L 12	PN 400	M 16 x 1.5	22	19	22	32	17	42	29.5	12	16.3	1 1 60 16 20 00	1 1 60 15 20 XX
L 15	PN 400	M 18 x 1.5	24	19	27	36	21	46	32.5	12	20.5	1 1 60 21 20 00	1 1 60 20 20 XX
L 18	PN 400	M 22 x 1.5	27	24	32	40	23.5	50	35.5	14	28.5	1 1 60 26 20 00	1 1 60 25 20 XX
L 22	PN 250	M 26 x 1.5	32	27	36	44	27.5	55	38.5	16	38.8	1 1 60 31 20 00	1 1 60 30 20 XX
L 28	PN 250	M 33 x 2	41	36	41	47	30.5	59	41.5	18	56.8	1 1 60 36 20 00	1 1 60 35 20 XX
L 35	PN 250	M 42 x 2	50	41	50	56	34.5	68.5	51	20	68.6	1 1 60 41 20 00	1 1 60 40 20 XX
L 42	PN 250	M 48 x 2	55	50	60	63	40	75	56	22	105.8	1 1 60 46 20 00	1 1 60 45 20 XX
S 6	PN 800	M 12 x 1.5	17	14	17	31	16	40	27	12	8.1	1 1 60 51 20 00	1 1 60 50 20 XX
S 8	PN 800	M 14 x 1.5	19	17	19	32	17	42.5	27.5	12	10.4	1 1 60 56 20 00	1 1 60 55 20 XX
S 10	PN 800	M 16 x 1.5	22	19	22	34	17.5	45	30	12	15.3	1 1 60 61 20 00	1 1 60 60 20 XX
S 12	PN 630	M 18 x 1.5	24	17	24	38	21.5	48	31	12	13.4	1 1 60 66 20 00	1 1 60 65 20 XX
S 14	PN 630	M 20 x 1.5	27	19	27	40	22	54	35	14	27.5	1 1 60 71 20 00	1 1 60 70 20 XX
S 16	PN 630	M 22 x 1.5	27	24	30	43	24.5	55	36.5	14	33.0	1 1 60 76 20 00	1 1 60 75 20 XX
S 20	PN 420	M 27 x 2	32	27	36	48	26.5	65	44.5	16	36.4	1 1 60 81 20 00	1 1 60 80 20 XX
S 25	PN 420	M 33 x 2	41	36	46	54	30	73	50	18	92.9	1 1 60 86 20 00	1 1 60 85 20 XX
S 30	PN 420	M 42 x 2	50	41	50	62	35.5	78.5	55	20	91.1	1 1 60 91 20 00	1 1 60 90 20 XX
S 38	PN 420	M 48 x 2	55	50	60	72	41	89	63	22	141.4	1 1 60 96 20 00	1 1 60 95 20 XX

Special pressure stages apply in combination with the 2S cutting ring (refer to Page 48)

Supplementary to Order No. for complete fitting tube connection	Supplementary to Order No.
2S	07
ES-4	09
BV-10	Refer to the front page

* Apply to complete fittings with 2S or ES-4 tube connection components.
For BV-10 Refer to the front page.

** With union nut and 2S, ES-4 or BV-10 tube connection components

*** Sample product code, see: ET06LMEDOMD