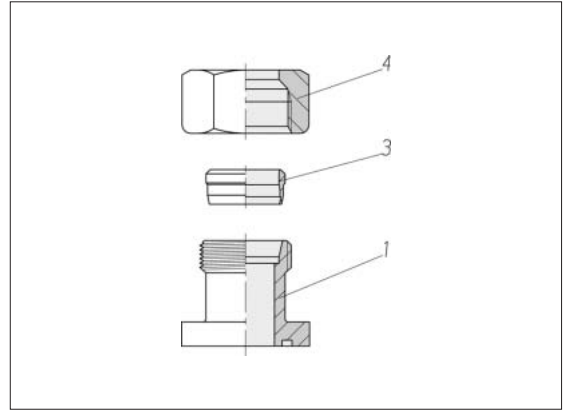


# Straight flange couplings Component parts

With cutting-ring and square flange connection



Series Tube OD	PB	Hole circle dia.	kg/100 approx.	Order No. Part 1	Order No. Part 3	Order No. Part 4
L 10	315	35	9.5	0 7 95 36 20 00*	0 0 10 10 20 00	0 0 04 10 21 00
L 12	315	35	9.7	0 7 95 37 20 00	0 0 10 15 20 00	0 0 04 15 21 00
L 15	250	35	10.2	0 7 95 38 20 00	0 0 10 20 20 00	0 0 04 20 21 00
L 15	100	40	12.4	0 7 95 39 20 00	0 0 10 20 20 00	0 0 04 20 21 00
L 18	100	40	12.2	0 7 95 40 20 00	0 0 10 25 20 00	0 0 04 25 21 00
L 22	100	40	12.3	0 7 95 41 20 00	0 0 10 30 20 00	0 0 04 30 21 00
L 28	100	40	15.9	0 7 95 14 20 00	0 0 10 35 20 00	0 0 04 35 21 00
L 28	100	55	30.4	0 7 95 90 20 00	0 0 10 35 20 00	0 0 04 35 21 00
S 16	315	35	16.4	0 7 95 10 20 00	0 0 10 75 20 00	0 0 04 75 21 00

\* Sample product code, see:  
BFG10L/LK35OMD