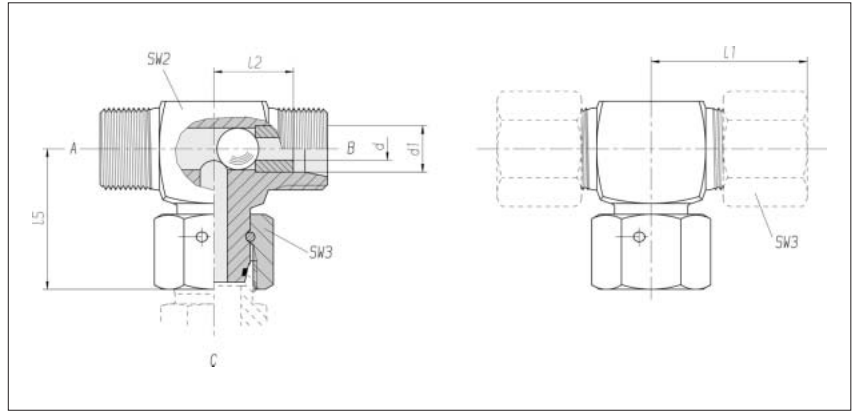
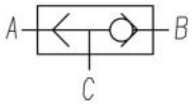


Shuttle valves

Ball seat

with taper connection



Series Tube OD d1	Pressure	d	SW2	SW3	l1 approx.	l2	l5	kg/100 approx.	Order No. Single component **	Order No.
L 12	PB 250	7.5	19	22	32	17	29	13.4	5 6 90 99 11 81*	5 6 90 99 11 07

* Sample product code, see:
WW-ET12LOMD

** With union nut and 2S cutting ring