

Male stud connectors

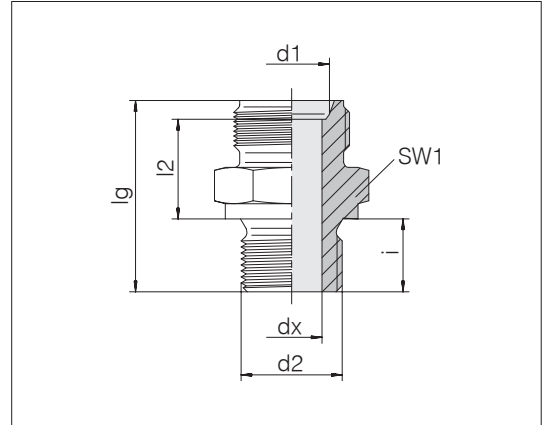
Male thread: BSPP thread, cylindrical

Threaded stud: DIN 3852-2 Form A

Sealing type: Sealing ring

Sealing material: e.g. copper sealing ring

Tube coupling: VOSS Lok⁴⁰



Tube OD d1	d2 BSPP	dx	lg	l2	SW1	i	kg/100 ca.	Order-No.	Designation
6	G 1/8 A	4	24	13.4	14	8	1.5	7004700200	40-SDS-6-G1/8A-SST
8	G 1/4 A	5	29.5	14.8	19	12	3.2	7004700300	40-SDS-8-G1/4A-SST
10	G 1/4 A	6	29.5	14.5	19	12	3.3	7004700400	40-SDS-10-G1/4A-SST
12	G 3/8 A	9	31.5	16.4	22	12	5.1	7004700500	40-SDS-12-G3/8A-SST
14	G 1/2 A	11.5	34	16.8	27	14	7.9	7004700600	40-SDS-14-G1/2A-SST
15	G 1/2 A	12	34	16.7	27	14	7.6	7004700700	40-SDS-15-G1/2A-SST
16	G 1/2 A	13	34	16.5	27	14	7.0	7004700800	40-SDS-16-G1/2A-SST
18	G 1/2 A	14	35.5	17.9	27	14	7.8	7004700900	40-SDS-18-G1/2A-SST
20	G 3/4 A	16	37.5	17.8	32	16	10.7	7004701000	40-SDS-20-G3/4A-SST
22	G 3/4 A	18	37.5	17.5	32	16	10.7	7004701100	40-SDS-22-G3/4A-SST