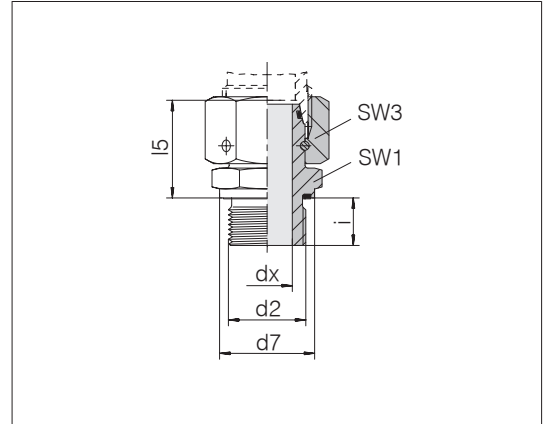


Swivel connectors

With taper and O-ring
suitable in bore form W DIN 3861/ISO 8434-1

Male thread: BSPP thread, cylindrical
Screw-in stud: ISO 1179-2 Form E
Sealing type: Profile sealing ring PEFLEX
Sealing material: Standard NBR

Standard O-ring material (DKO) is FKM



Series Tube OD	d2	Pressure	d7	dx	l5	SW1	SW3	i	Nm -10 %	kg/100 ca.	Order-No.	Designation
S 6	G 1/4 A	PN 800	18.9	2.5	27	19	17	12	60	5.4	1165532000	24-SWOSDS-S6-G1/4E ¹⁾
S 8	G 1/4 A	PN 800	18.9	4	29.5	19	19	12	60	6.4	1165582000	24-SWOSDS-S8-G1/4E ¹⁾
S 10	G 1/4 A	PN 800	18.9	5	32	22	22	12	60	8.7	1197512000	24-SWOSDS-S10-G1/4E
S 10	G 3/8 A	PN 800	21.9	6	32	22	22	12	90	9.4	1165632000	24-SWOSDS-S10-G3/8E ¹⁾
S 12	G 1/4 A	PN 630	18.9	5	30.5	19	24	12	60	7.9	1198582000	24-SWOSDS-S12-G1/4E
S 12	G 3/8 A	PN 630	21.9	8	34	22	24	12	90	10.0	1165682000	24-SWOSDS-S12-G3/8E ¹⁾
S 12	G 1/2 A	PN 630	26.9	8	36	27	24	14	150	14.4	1198572000	24-SWOSDS-S12-G1/2E
S 14	G 1/2 A	PN 630	26.9	9	36.5	27	27	14	150	16.4	1165732000	24-SWOSDS-S14-G1/2E ¹⁾
S 16	G 1/2 A	PN 630	26.9	11	37	27	30	14	150	17.1	1165782000	24-SWOSDS-S16-G1/2E ¹⁾
S 16	G 3/4 A	PN 420	31.9	11	39.5	32	30	16	200	24.4	1197772000	24-SWOSDS-S16-G3/4E
S 20	G 1/2 A	PN 420	26.9	12	43	27	36	14	150	21.2	1198312000	24-SWOSDS-S20-G1/2E
S 20	G 3/4 A	PN 420	31.9	14	43	32	36	16	200	27.2	1165832000	24-SWOSDS-S20-G3/4E ¹⁾
S 25	G 3/4 A	PN 420	31.9	16	48	32	46	16	200	39.7	1196482000	24-SWOSDS-S25-G3/4E
S 25	G 1 A	PN 420	39.9	18	48	41	46	18	250	50.6	1165882000	24-SWOSDS-S25-G1E ¹⁾
S 30	G 1 A	PN 420	39.9	18	51.5	41	50	18	250	54.4	1197412000	24-SWOSDS-S30-G1E
S 30	G 1 1/4 A	PN 420	49.9	23	51	50	50	20	500	68.5	1165932000	24-SWOSDS-S30-G11/4E ¹⁾
S 38	G 1 1/4 A	PN 420	49.9	25	54.5	50	60	20	500	78.9	1197362000	24-SWOSDS-S38-G11/4E
S 38	G 1 1/2 A	PN 420	54.9	30	60	55	60	22	600	95.5	1165982000	24-SWOSDS-S38-G11/2E ¹⁾

¹⁾ Standard size