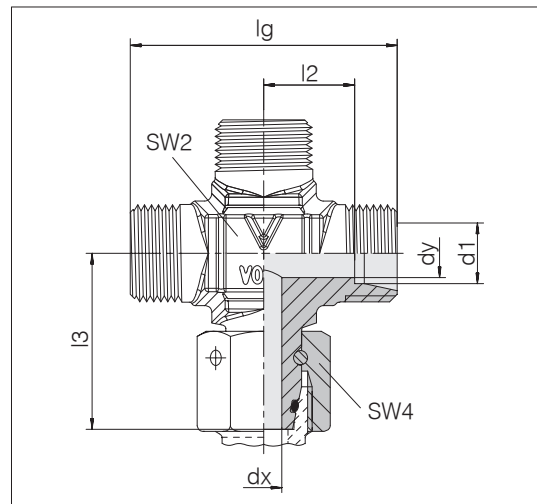


Union crosses

With taper and O-ring

Standard material of O-rings is FKM

Tube coupling: 24° in acc. with ISO 8434-1



3

Series	Tube OD	Pressure	dx	dy	lg	l2	l3	SW2	SW4	Order-No.	Designation
L	6	PN 315	2.5	4	38	12	24	12	14	1190412058	24-SWOK-L6
L	8	PN 315	4	6	42	14	27.5	17	17	1196702058	24-SWOK-L8
L	10	PN 315	6	8	44	15	29	17	19	1196962058	24-SWOK-L10
L	12	PN 315	8	10	48	17	29.5	17	22	1196952058	24-SWOK-L12
L	15	PN 315	10	12	56	21	32.5	24	27	1196262058	24-SWOK-L15
L	18	PN 315	13	15	68	26.5	38.5	27	32	1196792058	24-SWOK-L18
L	35	PN 250	28	30	90	34.5	51	41	50	1190662058	24-SWOK-L35
L	42	PN 250	34	36	102	40	56	50	60	1194942058	24-SWOK-L42