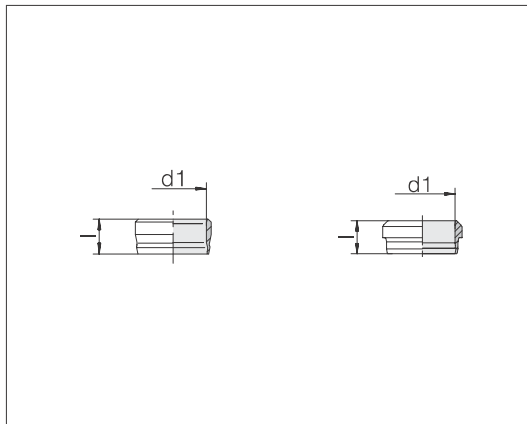


1S and VOSSRing^M cutting rings



Series	Tube OD	Pressure	l	Order-No.	Designation
LL	4	PN 100	6.8	0006002000	24-1S-LL4
LL	5	PN 100	7.8	0006052000	24-1S-LL5
LL	6	PN 100	7.8	0006102000	24-1S-LL6
LL	8	PN 100	7.8	0006152000	24-1S-LL8
L/S	6	PN 500/800	9.2	0019002100	24-VRM-L/S6
L/S	8	PN 500/800	9.2	0019052100	24-VRM-L/S8
L/S	10	PN 500/800	10	0019102100	24-VRM-L/S10
L/S	12	PN 400/630	10	0019152100	24-VRM-L/S12
L	15	PN 400	10.2	0019202100	24-VRM-L15
L	18	PN 400	10.5	0019252100	24-VRM-L18
L	22	PN 250	11.2	0019302100	24-VRM-L22
L	28	PN 250	11.2	0019352100	24-VRM-L28
L	35	PN 250	13.4	0019402100	24-VRM-L35
L	42	PN 250	13.4	0019452100	24-VRM-L42
S	14	PN 630	10.2	0019702100	24-VRM-S14
S	16	PN 630	10.2	0019752100	24-VRM-S16
S	20	PN 420	13	0019802100	24-VRM-S20
S	25	PN 420	13	0019852100	24-VRM-S25
S	30	PN 420	13.6	0019902100	24-VRM-S30
S	38	PN 420	14	0019952100	24-VRM-S38

Cutting-rings for tube OD
6 - 12 mm are identical for
series L + S .

Series LL = 1S
Series L + S = VOSSRing^M

Example for comp. :
D04LLX
DIN 3861-ALL4-St

PSR06LX
ISO 8434-1-CR-L6-St

