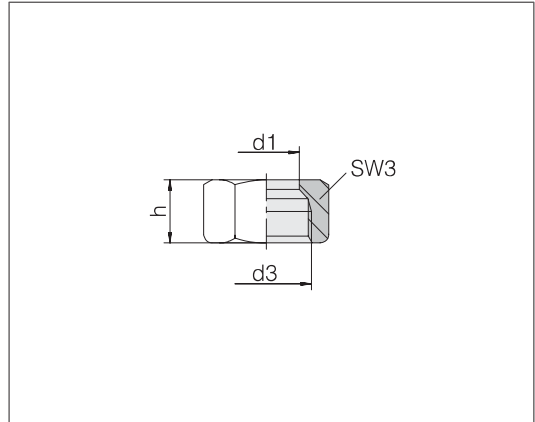


Union nuts



Series	Tube OD	d3	Pressure	SW3	h	Order-No.	Designation steel	Order-No.	Designation stainless steel
LL	4	M 8 x 1	PN 100	10	11	0003002100	24-N-LL4	0003006000	24-N-LL4-SST
LL	5	M 10 x 1	PN 100	12	11.5	0003052100	24-N-LL5	0003056000	24-N-LL5-SST
LL	6	M 10 x 1	PN 100	12	11.5	0003102100	24-N-LL6	0003106000	24-N-LL6-SST
LL	8	M 12 x 1	PN 100	14	12	0003152100	24-N-LL8	0003156000	24-N-LL8-SST
L	6	M 12 x 1.5	PN 500	14	14.5	0004002100	24-N-L6	0004006000	24-N-L6-SST
L	8	M 14 x 1.5	PN 500	17	14.5	0004052100	24-N-L8	0004056000	24-N-L8-SST
L	10	M 16 x 1.5	PN 500	19	15.5	0004102100	24-N-L10	0004106000	24-N-L10-SST
L	12	M 18 x 1.5	PN 400	22	15.5	0004152100	24-N-L12	0004156000	24-N-L12-SST
L	15	M 22 x 1.5	PN 400	27	17	0004202100	24-N-L15	0004206000	24-N-L15-SST
L	18	M 26 x 1.5	PN 400	32	18	0004252100	24-N-L18	0004256000	24-N-L18-SST
L	22	M 30 x 2	PN 250	36	20	0004302100	24-N-L22	0004306000	24-N-L22-SST
L	28	M 36 x 2	PN 250	41	21	0004352100	24-N-L28	0004356000	24-N-L28-SST
L	35	M 45 x 2	PN 250	50	24	0004402100	24-N-L35	0004406000	24-N-L35-SST
L	42	M 52 x 2	PN 250	60	24	0004452100	24-N-L42	0004456000	24-N-L42-SST
S	6	M 14 x 1.5	PN 800	17	16.5	0004502100	24-N-S6	0004506000	24-N-S6-SST
S	8	M 16 x 1.5	PN 800	19	16.5	0004552100	24-N-S8	0004556000	24-N-S8-SST
S	10	M 18 x 1.5	PN 800	22	17.5	0004602100	24-N-S10	0004606000	24-N-S10-SST
S	12	M 20 x 1.5	PN 630	24	17.5	0004652100	24-N-S12	0004656000	24-N-S12-SST
S	14	M 22 x 1.5	PN 630	27	20.5	0004702100	24-N-S14	0004706000	24-N-S14-SST
S	16	M 24 x 1.5	PN 630	30	20.5	0004752100	24-N-S16	0004756000	24-N-S16-SST
S	20	M 30 x 2	PN 420	36	24	0004802100	24-N-S20	0004806000	24-N-S20-SST
S	25	M 36 x 2	PN 420	46	27	0004852100	24-N-S25	0004856000	24-N-S25-SST
S	30	M 42 x 2	PN 420	50	29	0004902100	24-N-S30	0004906000	24-N-S30-SST
S	38	M 52 x 2	PN 420	60	32.5	0004952100	24-N-S38	0004956000	24-N-S38-SST

To reduce the assembly forces, the union nuts are coated with wax lubricant.

Example for comp.:
M04LLX
DIN 3870-ALL4

M06LX
ISO 8434-1-N-L6-St