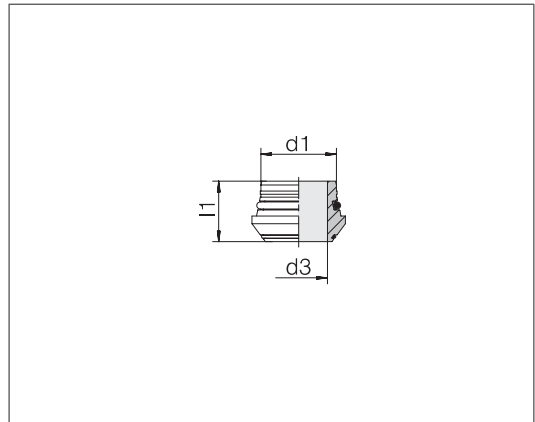


## 24/37° adapter rings

Standard O-ring material is FPM/FKM



Series	Tube OD	Pressure	d3	l1	kg/100 ca.	Order-No.	Designation
L/S	6	PN 500/630	3	11.5	0.3	0041002158	24-24/37AO-L/S6-C21
L/S	8	PN 500/630	5	12	0.4	0041012158	24-24/37AO-L/S8-C21
L/S	10	PN 500/630	6	12.5	0.6	0041022158	24-24/37AO-L/S10-C21
L/S	12	PN 400/630	8	12.5	0.8	0041032158	24-24/37AO-L/S12-C21
L	15	PN 400	11	12.5	1.0	0041042158	24-24/37AO-L15-C21
L	18	PN 400	14	13	1.3	0041052158	24-24/37AO-L18-C21
L	22	PN 250	17	14.2	2.1	0041062158	24-24/37AO-L22-C21
L	28	PN 250	23	14.7	2.9	0041072158	24-24/37AO-L28-C21
L	35	PN 250	28	18.5	6.1	0041082158	24-24/37AO-L35-C21
L	42	PN 250	35	20.5	8.1	0041092158	24-24/37AO-L42-C21
S	14	PN 630	9	14	1.2	0041102158	24-24/37AO-S14-C21
S	16	PN 630	11	15	1.5	0041112158	24-24/37AO-S16-C21
S	20	PN 400	14	18.5	2.8	0041122158	24-24/37AO-S20-C21
S	25	PN 400	19	20	4.0	0041132158	24-24/37AO-S25-C21
S	30	PN 400	23	22	6.0	0041142158	24-24/37AO-S30-C21
S	38	PN 400	30	26	9.3	0041152158	24-24/37AO-S38-C21

Weight without O-ring.